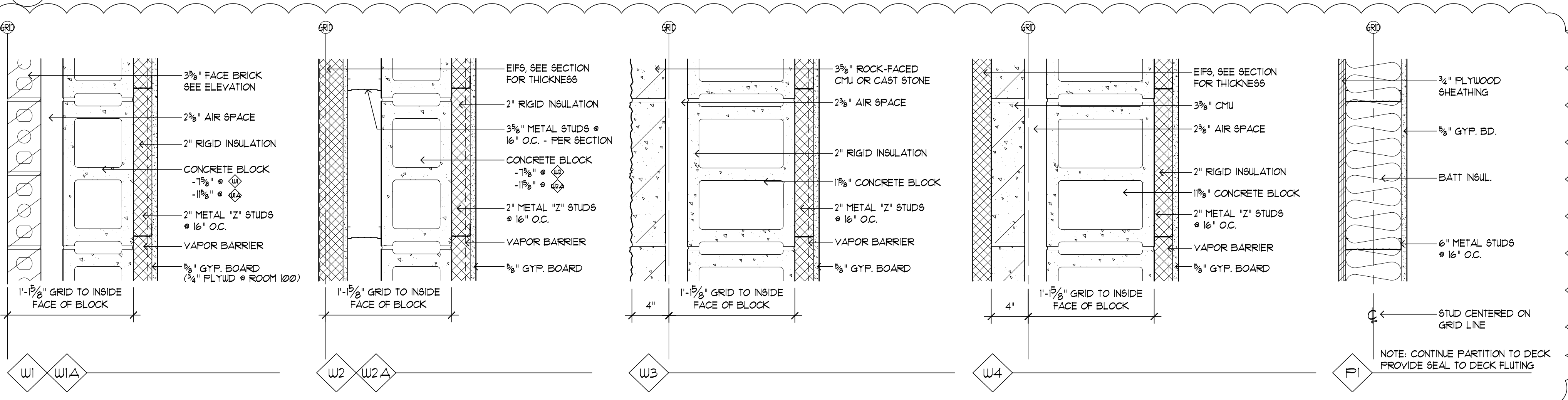
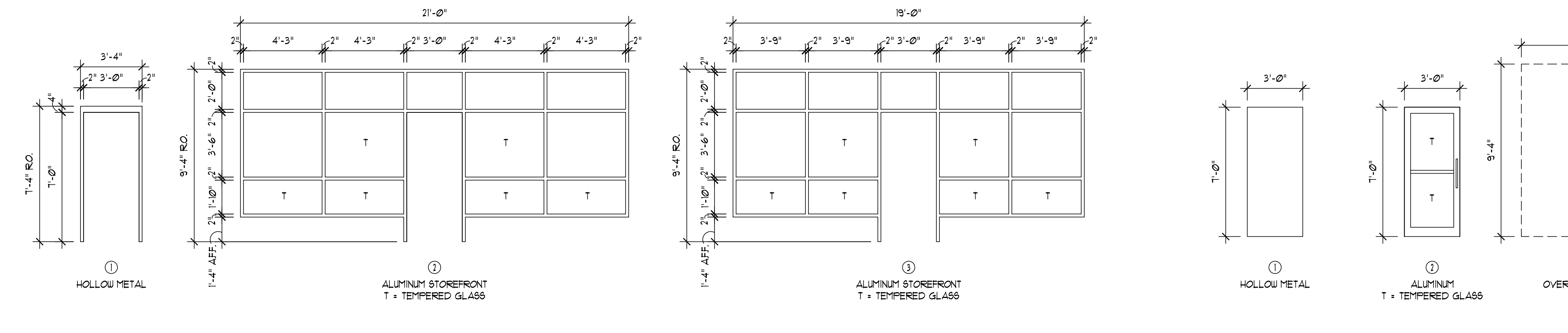
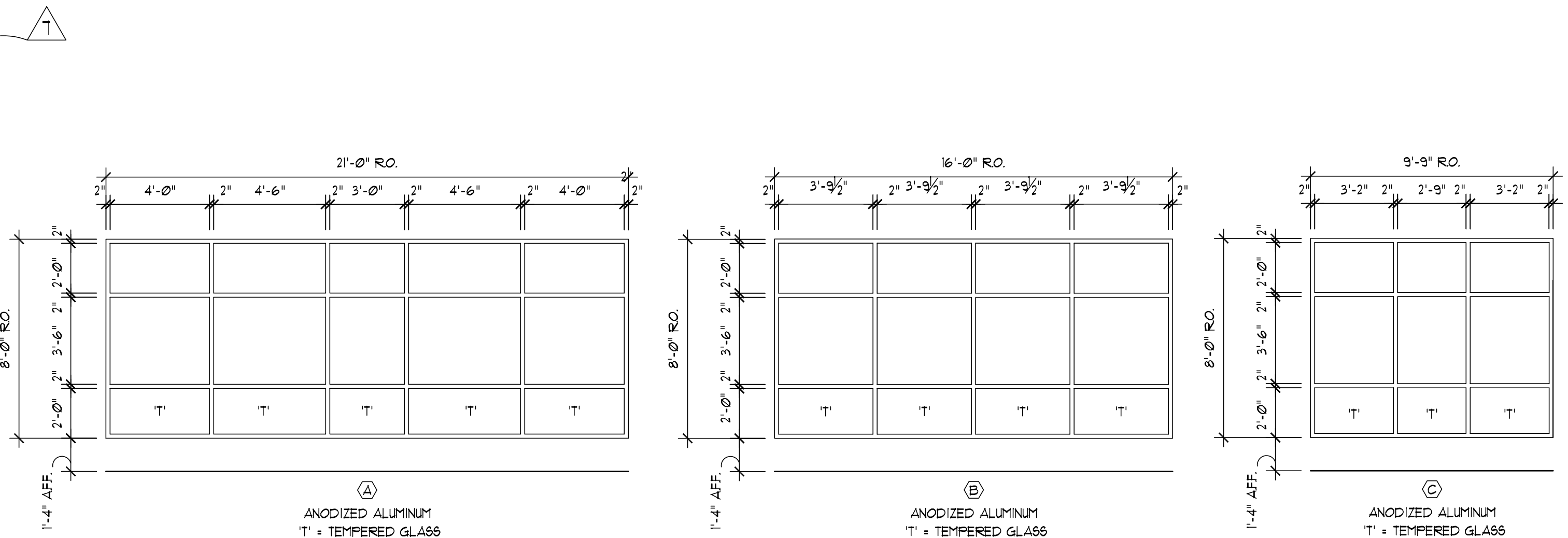


1 FIRST FLOOR PLAN
SCALE: 1/8" = 1'-0"
2804-FLN-FLO1



2 WALL TYPES
SCALE: 1/2" = 1'-0"
2804-DTL-WLTP

3 WINDOW TYPES
SCALE: 1/4" = 1'-0"
2804-DTL-WDUP1



4 FRAME TYPES
SCALE: 1/4" = 1'-0"
2804-DTL-FRM

5 DOOR TYPES
SCALE: 1/4" = 1'-0"
2804-DTL-DOOR

DOOR SCHEDULE - EXTERIOR DOORS

| DOOR NO. | ROOM NAME | DOOR | WIDTH | HT | THK | TYPE | MATL | FIN | PAIR | FRAME TYPE | MATL | FN | HOUR GROUP | RATING | REMARKS |
|----------|------------------|-------|-------|---------|-----|------|------|-----|------|------------|------|------|------------|--------|----------------|
| 100A | MECHANICAL/TRASH | 3'-0" | T-0 | 1'-3/4" | | | | | | 1 | HM | PT | 2 | | |
| 100B | MECHANICAL/TRASH | 8'-0" | T-0 | | | | | | | 3 | ALUM | ANOD | 1 | | MOTOR OPERATED |
| 101A | TENANT SPACE #1 | 3'-0" | T-0 | 1'-3/4" | | | | | | 2 | ALUM | ANOD | 1 | | |
| 101B | TENANT SPACE #1 | 3'-0" | T-0 | 1'-3/4" | | | | | | 3 | ALUM | ANOD | 1 | | |
| 102A | TENANT SPACE #2 | 3'-0" | T-0 | 1'-3/4" | | | | | | 2 | ALUM | ANOD | 1 | | |
| 102B | TENANT SPACE #2 | 3'-0" | T-0 | 1'-3/4" | | | | | | 3 | ALUM | ANOD | 1 | | |
| 102C | TENANT SPACE #2 | 3'-0" | T-0 | 1'-3/4" | | | | | | 2 | ALUM | ANOD | 1 | | |
| 103A | TENANT SPACE #3 | 3'-0" | T-0 | 1'-3/4" | | | | | | 2 | ALUM | ANOD | 1 | | |
| 103B | TENANT SPACE #3 | 3'-0" | T-0 | 1'-3/4" | | | | | | 3 | ALUM | ANOD | 1 | | |
| 104A | TENANT SPACE #4 | 3'-0" | T-0 | 1'-3/4" | | | | | | 2 | ALUM | ANOD | 1 | | |
| 104B | TENANT SPACE #4 | 3'-0" | T-0 | 1'-3/4" | | | | | | 3 | ALUM | ANOD | 1 | | |
| 105A | TENANT SPACE #5 | 3'-0" | T-0 | 1'-3/4" | | | | | | 2 | ALUM | ANOD | 1 | | |
| 105B | TENANT SPACE #5 | 3'-0" | T-0 | 1'-3/4" | | | | | | 3 | ALUM | ANOD | 1 | | |
| 106A | TENANT SPACE #6 | 3'-0" | T-0 | 1'-3/4" | | | | | | 2 | ALUM | ANOD | 1 | | |
| 106B | TENANT SPACE #6 | 3'-0" | T-0 | 1'-3/4" | | | | | | 3 | ALUM | ANOD | 1 | | |
| 107A | TENANT SPACE #7 | 3'-0" | T-0 | 1'-3/4" | | | | | | 2 | ALUM | ANOD | 1 | | |
| 107B | TENANT SPACE #7 | 3'-0" | T-0 | 1'-3/4" | | | | | | 3 | ALUM | ANOD | 1 | | |
| 108A | TENANT SPACE #8 | 3'-0" | T-0 | 1'-3/4" | | | | | | 2 | ALUM | ANOD | 1 | | |
| 108B | TENANT SPACE #8 | 3'-0" | T-0 | 1'-3/4" | | | | | | 3 | ALUM | ANOD | 1 | | |
| 109A | TENANT SPACE #9 | 3'-0" | T-0 | 1'-3/4" | | | | | | 2 | ALUM | ANOD | 1 | | |
| 109B | TENANT SPACE #9 | 3'-0" | T-0 | 1'-3/4" | | | | | | 3 | ALUM | ANOD | 1 | | |

DIFFLEY ROAD
RETAIL
EAGAN, MN
1646 DIFFLEY ROAD
LOT 5, BLOCK 1

FLOOR PLAN &
DOOR, FRAME, WALL
& WINDOW TYPES

DATE: 08/13/08

REVISIONS

| # | DATE | INFORMATION |
|---|----------|------------------------------|
| 1 | 08/05/08 | APPENDIX #1 |
| 2 | 08/13/08 | FULL BUILDING PERMIT REISSUE |
| 3 | 08/27/08 | CITY COMMENT RESPONSE #1 |
| 4 | 09/15/08 | CITY COMMENT RESPONSE #2 |
| 5 | 10/02/08 | CITY COMMENT RESPONSE #3 |
| 6 | 10/06/08 | CITY COMMENT RESPONSE #4 |
| 7 | 10/14/08 | RFI #1 |

A2-0

PROJECT NUMBER 2804